

INSTRUCTION SHEET

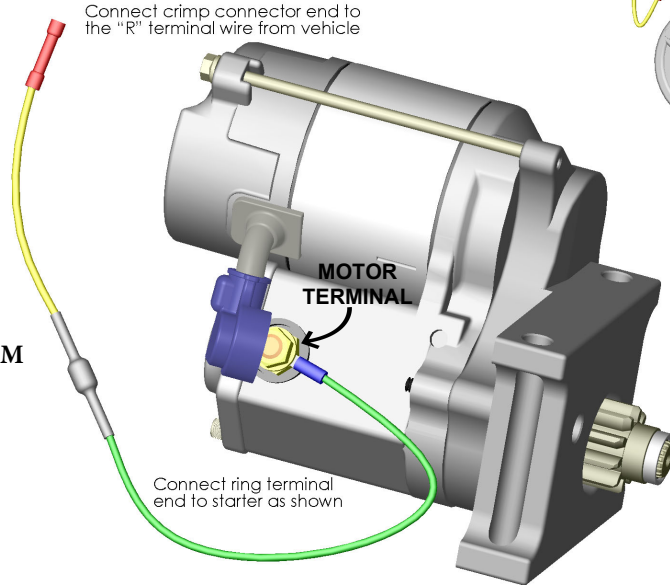
R Terminal Diode Kit for Racing Starters PIN 600

We want to help! If you have any comments or difficulty with this product, please contact technical support at



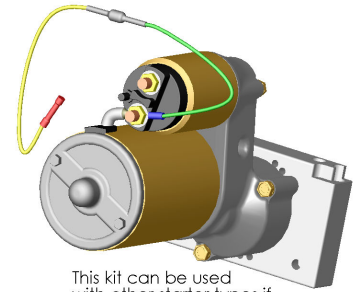
STARTERS & ALTERNATORS

1833 DOWNS DRIVE,
WEST CHICAGO, IL 60185
TECH@POWERMASTERPERFORMANCE.COM
(630) 957-4019

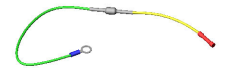


Connect crimp connector end to the "R" terminal wire from vehicle

Connect ring terminal end to starter as shown



This kit can be used with other starter types if installed as shown above.



Starter "R" terminal diode kit

INSTRUCTION SHEET

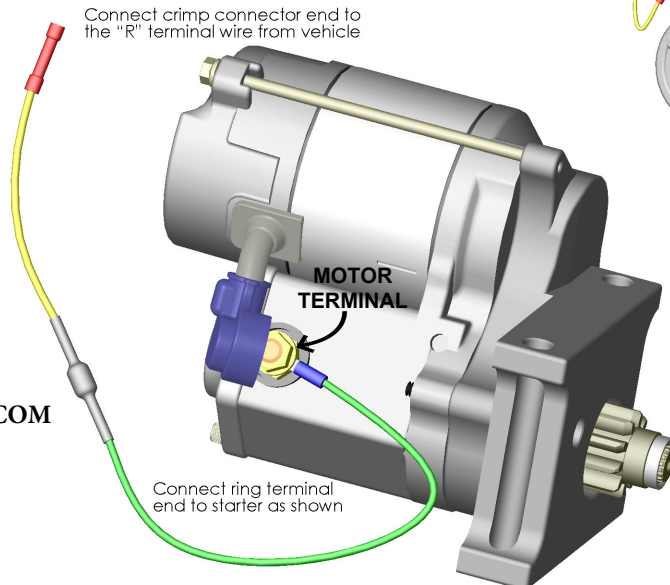
R Terminal Diode Kit for Racing Starters PIN 600

We want to help! If you have any comments or difficulty with this product, please contact technical support at



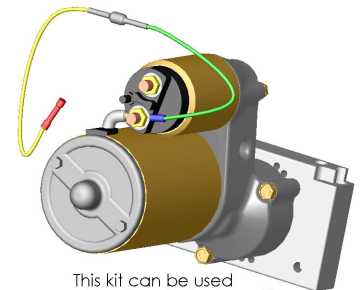
STARTERS & ALTERNATORS

1833 DOWNS DRIVE,
WEST CHICAGO, IL 60185
TECH@POWERMASTERPERFORMANCE.COM
(630) 957-4019



Connect crimp connector end to the "R" terminal wire from vehicle

Connect ring terminal end to starter as shown



This kit can be used with other starter types if installed as shown above.



Starter "R" terminal diode kit